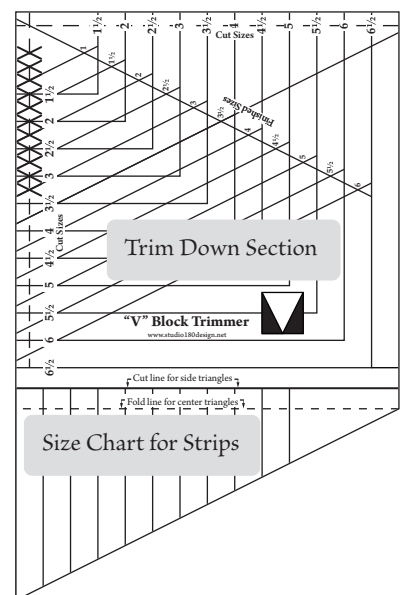


Finally a tool to master one of our most loved patchwork units! Affectionately named “Peaky and Spike” by quilter Doreen Speckman, this classic unit involves three elongated triangles with sharp angles and is notoriously difficult to construct. Deb’s V Block® Trimmer has angles that allow for quick and easy cutting of both the center and side triangles. When stitched, the resulting unit will be slightly oversized and then precisely trimmed using the guide lines on the tool. The outcome will be a perfect sized square with exact  $\frac{1}{4}$ ” seams on all sides and seams properly positioned for high quality end results.



Finished Unit Size	Cut Size of Unit (Trim Size)	Strip Width	Number of Side Triangles	Number of Side Triangle Pairs per Strip Width	Number of Finished V-Blocks
1"	1½"	2"	44	22 Pairs	22
1½"	2"	2½"	40	20 Pairs	20
2"	2½"	3"	34	17 Pairs	17
2½"	3"	3½"	30	15 Pairs	15
3"	3½"	4"	28	14 Pairs	14
3½"	4"	4½"	24	12 Pairs	12
4"	4½"	5"	24	12 Pairs	12
4½"	5"	5½"	20	10 Pairs	10
5"	5½"	6"	20	10 Pairs	10
5½"	6"	6½"	18	9 Pairs	9
6"	6½"	7"	16	8 Pairs	8

## Cutting the Strips

**Step 1** - Determine the finished size of the V Block™ unit you intend to make.

**Step 2** - Locate the area on the ruler that lists the finished size units and the cutting size for the strips, near the slanted side of the tool.

**Step 3** - Cut both the center triangle strips and the side triangle strips the listed size.

## Cutting the Center Triangles

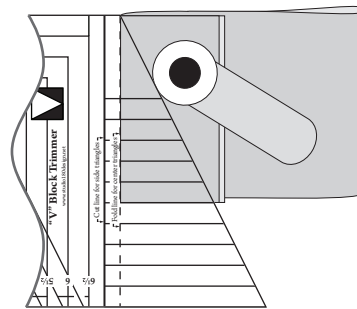
**Step 4** - To cut the center triangle, layer fabric no more than two layers deep.

**Step 5** - Fold the ends as shown in the illustration deep enough to accommodate the slanted cut for your chosen size unit and make a finger pressed fold.

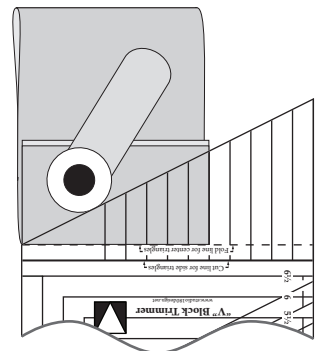
**Step 6** - Position the ruler on the strip so that the **dashed line labeled "Fold Line for Center Triangle"** is aligned with the fold and the correct size line of the ruler against the bottom edge of the strip. Note illustrations for right and left handed trimming.

**Step 7** - Trim along the slanted edge of the ruler and unfold to reveal the center triangle pieces.

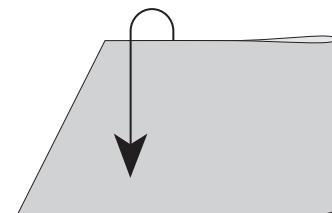
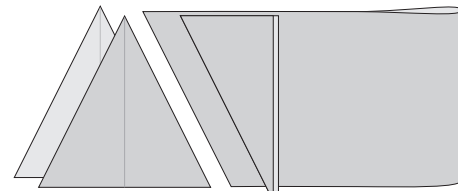
### Right Handed Trimming



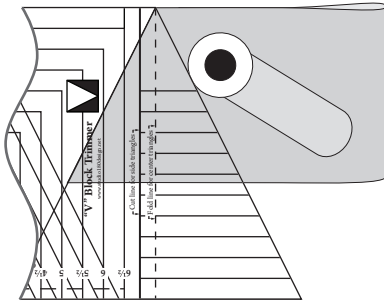
### Left Handed Trimming



**Step 8** - Move the cut triangles off to the side and flip the strip over as shown below. Flip top to bottom if you're right handed, west to east if you're left handed.



**Step 9** - Align the center triangle trim line with the previously trimmed edge and cut your next pair of center triangles.



**Step 10** - Continue to flip the strip for each cut. Use these key words: **Flip - Position - Cut - Flip Again** until you have the required number of triangle pieces.

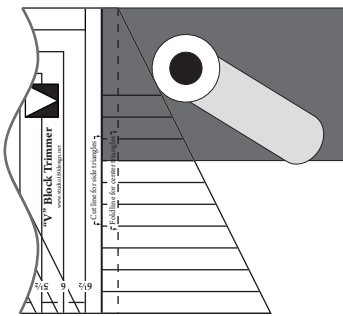
## Cutting the Side Triangles

**Step 11** - Place strips facing each other, either **right sides or wrong sides together** on the cutting mat and clean up one edge.

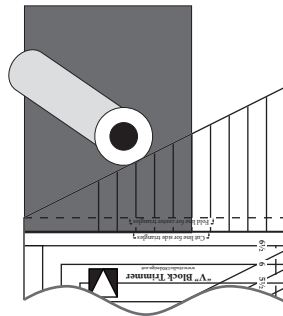
**Step 12** - Locate the **bold solid line on the tool that reads "Cut Line for Side Triangles."** Position that line against the trimmed end of the strip with the top of the ruler against the top of the strip and the proper size line against the bottom of the strip.

**Step 13** - Trim along the slanted edge of the ruler as shown.

**Right Handed Trimming**



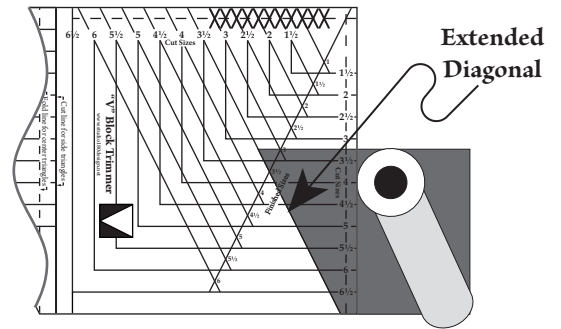
**Left Handed Trimming**



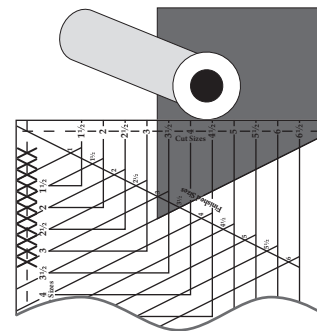
**Step 14** - To make the next cut, keep the fabric in the same position on the mat and rotate the ruler as shown below.

**Step 15** - Position the extended diagonal line against the previously trimmed slanted cut. The bottom ruler edge will be against the strip edge and trim as shown below.

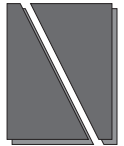
**Right Handed Trimming**



**Left Handed Trimming**



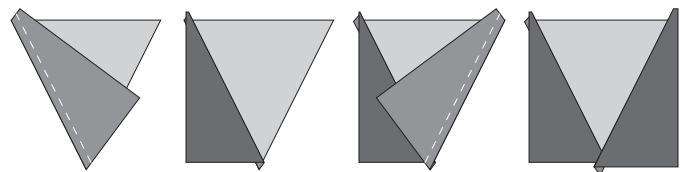
**Step 16** - Each cut will give you a mirror image pair of side triangles that will be sewn to both sides of the center triangle.



**Step 17** - Lay out the V Block™ units. Make sure that you are lining up the long edge of the side triangles with the edges of the center triangle.



**Step 18** - To sew, simply position pieces right sides together, lining up the slanted cut edges "tip to tip." Stitch with a 1/4" seam.



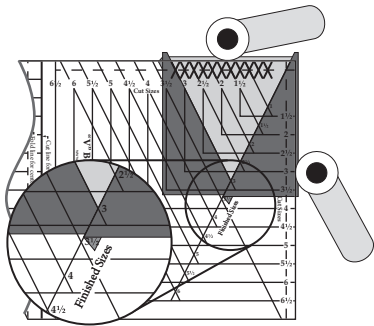
**Step 19** - Press all seams toward the side triangles.

# Trimming

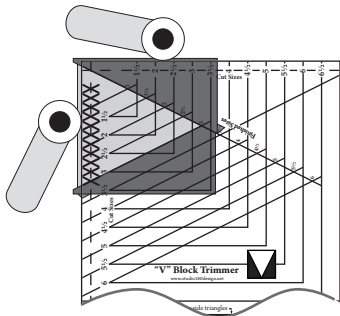
**Note:** The units are designed to be oversized when sewn and then trimmed to a precise measurement after the sewing and pressing is complete. As long as you are pretty close with your positioning and stitching, you should have enough fabric on all four sides for a clean-up trim. A much less stressful method than ever before!

**Step 20** - To trim the sewn units, position them on a cutting mat as shown in the illustrations, aligning the “Finished Size” measurement with the seam lines. Note the position for right hand and left hand trimming. Trim along both edges.

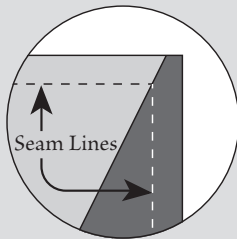
**Right Hand Trimming Diagram**



**Left Hand Trimming Diagram**

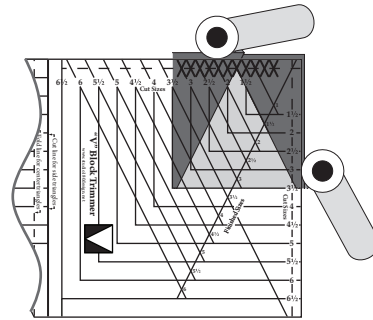


**Note:** The seams will not go directly into the corner! Because of the angle of the seam, it is important to realize that the seam line will not go directly into the corner, but will look like the illustration. What will happen is the 1/4" sewing point will line up directly on the sewn seam of the finished unit. The unit must be trimmed as shown order to have the perfect points in your finished projects!

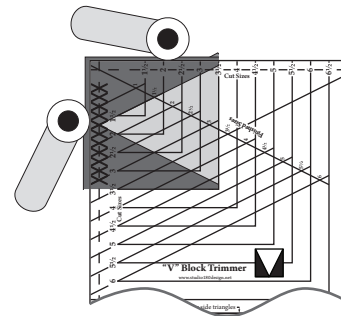


**Step 21** - Rotate fabric unit and reposition ruler on top. Align correct “Cut Size” measurements with previously trimmed corner and “X” with the sewn seam intersection. See illustration. Trim along both sides. Remember, the Cut Size of your unit will be 1/2” Larger than the Finished Size.

**Right Hand Trimming**

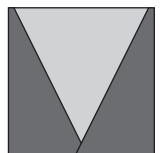


**Left Hand Trimming**



## Congratulations!

You will now have perfectly sized units with the seams positioned exactly right to give you crisp points on the tips of the V Block™ unit and on the base of the V Block™ unit.



Enjoy your new V Block™ tool and be sure to check out our **Fundamental Tools** for making basic units as well as our **Rapid Fire®** line of tools and techniques. Find them at your local quilt shop or by visiting our website

[www.Studio180Design.net](http://www.Studio180Design.net)

and don't forget to watch our free online video demonstrations whenever you need an initial introduction or review.

Studio 180 Design, Ltd.  
PO Box 185, Cogan Station, PA 17728  
© 2014 Deb Tucker, Studio 180 Design, Ltd.  
All rights reserved.